



Quality of life since 1825

# Wall hung WC Nordic 3730 – HygienicFlush

Soft Close/Quick Release seat

## Product features

### HYGIENIC FLUSH



- Made of hygienic, durable and tightly vitrified sanitary porcelain
- Hygienic Flush with open flush rim for easier cleaning
- Flushes all the way up to the rim for improved hygiene

## Article numbers

Art-no.  
GB113730001030

EAN  
7391530094427

## Packaging information

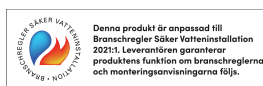
Length: 460 mm | Width: 405 mm | Height: 565 mm

Weight: 19 kg

Weight: 1 pc

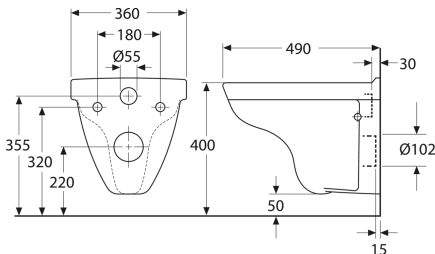
## Assembling & Care

## Energy labeling and certifications

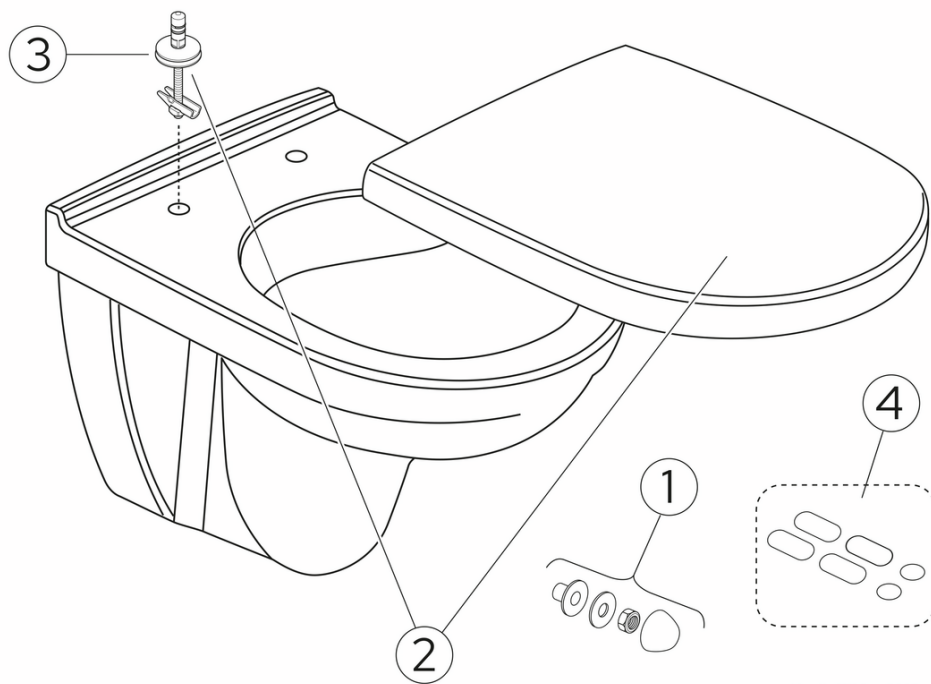


## Technical information

- CO2 Footprint: 31.7 kg
- Flushing - water quantity: 4,5/3 Dual flush 4,5/3 (L)
- Standard connection dimension: c/c 155mm sitsfäste



## Spare parts



Nordic 3730 yr 2026-  
(Rev 1. 2026-01-23)

No.	Product	Art-no.
1	Wall-mounting kit	92185901
2	Toilet seat - Care 9M38	9M38S101
3a	Seat hinges	GB92241761
3b	Buffer set	GB92242101
3c	Buffer set	GB92242201
3d	Soft Close damper	GB92242400