



Quality of life since 1825

# Wall hung toilet Graphic - Hygienic Twist

Soft Close/Quick Release seat, C+

## Product features

HYGIENIC TWIST CERAMICPLUS



- Easy-to-clean and minimalist design
- Hygienic Twist - powerful flush without rim for easy cleaning
- Hidden fixation

## Article numbers

Art-no.  
GB11E9300R1030

EAN  
7391530094199

## Packaging information

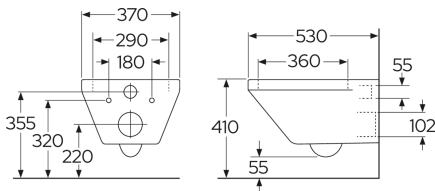
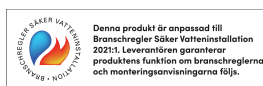
Length: 465 mm | Width: 405 mm | Height: 565 mm

Weight: 26 kg

Weight: 1 pc

## Assembling & Care

## Energy labeling and certifications

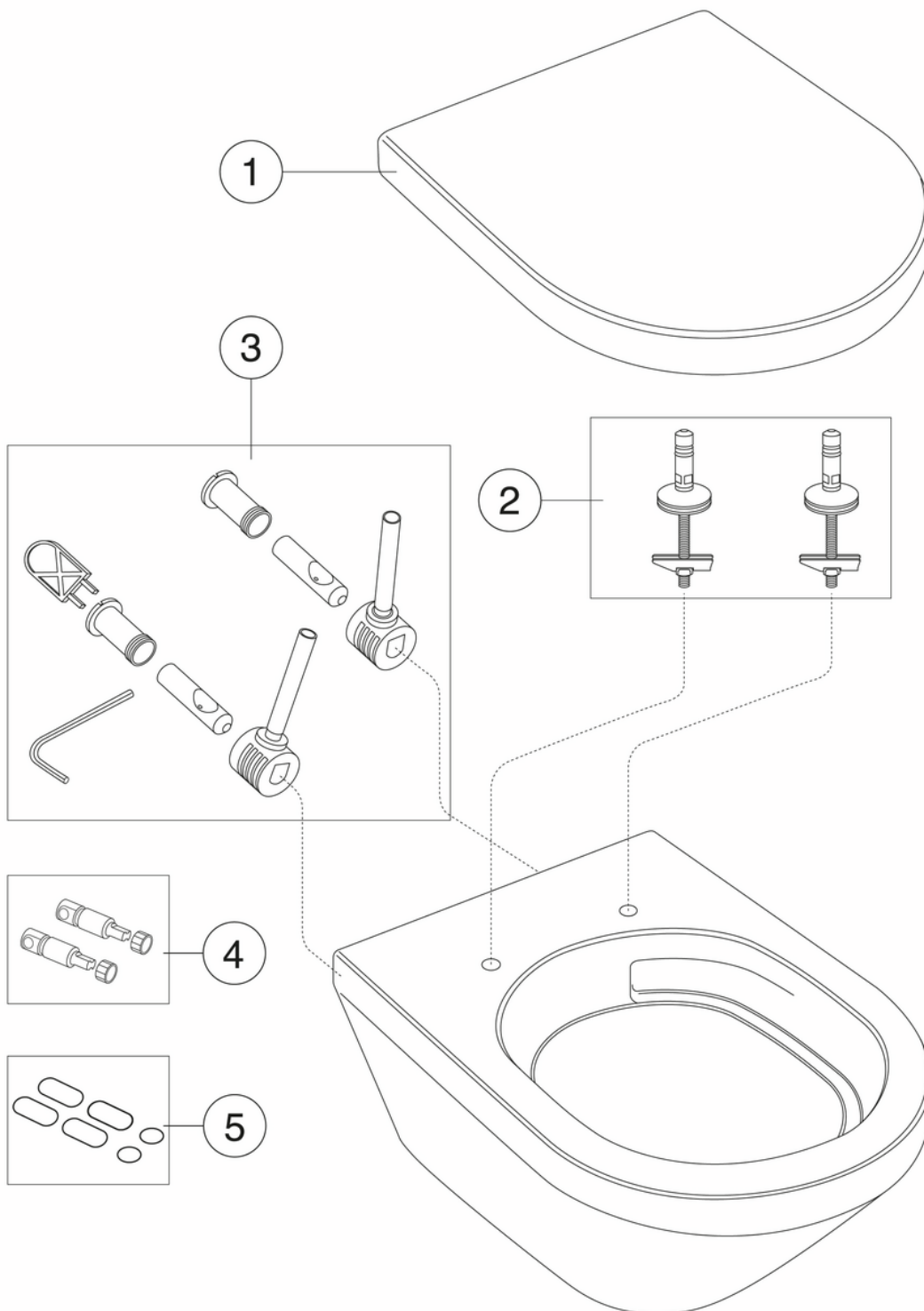


## Technical information

- CO2 Footprint: 50 kg
- Flushing - water quantity: 4,5/3 Dual flush 4,5/3 (L)
- Standard connection dimension: c/c 155mm sitsfäste

# Spare parts

---



Toilet Graphic E930 yr 2025-  
(Rev 1. 2026-07-02)

No.	Product	Art-no.
1	Toilet seat - SC/QR	9M16S101
2	Seat hinges	GB92241761
3	Wall-mounting kit	92185901
4	Soft Close damper	GB92242400
5	Buffer set	GB92242201